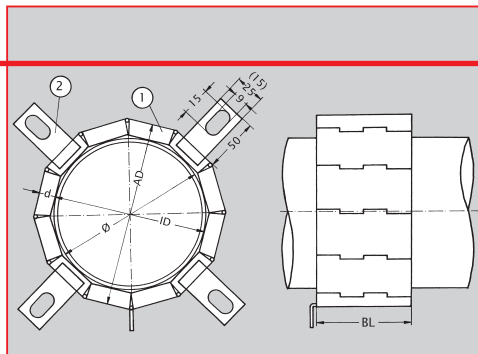


Table: Prefabricated Collars

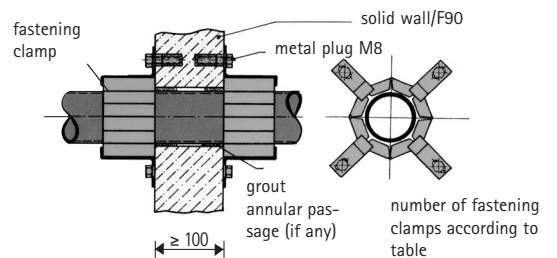
Dimensions in mm

Type Ø pipe	dimensions in mm				Number of lamellas and type ①					fastening clamp (qty) ②	weight of complete collar
	overall length "BL"	thickness "d"	Diameter		17 80	27 80	37 80	27 120	37 120		
			"ID"	"OD"							
up to BRM-22	80	11	23	48	8	-	-	-	-	3	0,34
BRM-23-30	80	11	30	56	9	-	-	-	-	3	0,36
BRM-31-35	80	11	36	62	10	-	-	-	-	3	0,39
BRM-36-40	80	11	41	66	11	-	-	-	-	3	0,41
BRM-50	80	11	56	79	-	9	-	-	-	3	0,57
BRM-56	80	11	56	79	-	9	-	-	-	3	0,57
BRM-63	80	11	67	90	-	10	-	-	-	3	0,60
BRM-75	80	11	80	103	-	12	-	-	-	3	0,68
BRM-80	80	11	80	103	-	12	-	-	-	3	0,68
BRM-90	80	11	90	113	-	13	-	-	-	4	0,72
BRM-110	80	15	113	145	-	-	12	-	-	4	1,15
BRM-125	120	18	126	170	-	-	-	1	13	4	1,84
BRM-132	120	18	134	175	-	-	-	-	14	4	1,88
BRM-140	120	18	143	185	-	-	-	-	15	4	1,99
BRM-160	120	18	162	205	-	-	-	1	16	4	2,16
BRM-180	120	18	184	220	-	-	-	-	18	4	2,30
BRM-200	120	18	202	245	-	-	-	-	20	4	2,52

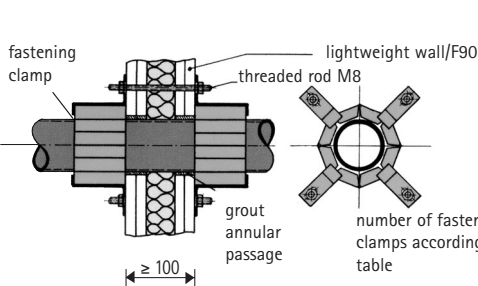


Examples for installation:

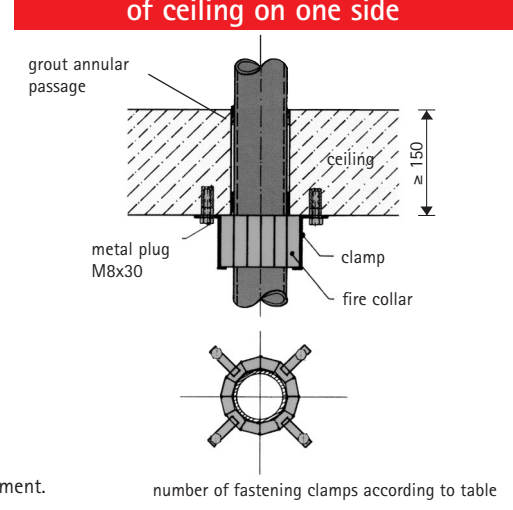
Solid Wall on both sides



Lightweight Wall on both sides



Ceiling Duct to lower edge of ceiling on one side



We provide replacements for all parts which are impaired in their function due to faults in the material. No replacement for defects that are due to transport or storage or result from faulty processing or installation or the effects thereof. Our specifications are based on the current state of the art. Subject to technical modifications. Due to the amount of possible influences during installation and application our specifications do not release processors and users from checking and testing the material themselves.

All earthings supplied without connecting elements!
For special applications please contact our technical department.

Sealing systems and fire protection for cables and pipes

UGA SYSTEM-TECHNIK GmbH & Co.
Technical Systems and Products for integration into buildings
Heidenheimer Str. 80-82 · 89542 Herbrechtingen
Postfach 12 61 · 89539 Herbrechtingen
Phone: 0049 73 24 / 96 96 - 0 · Fax: 0049 73 24 / 96 96 - 96
e-mail: info@uga-systeme.de · internet: www.uga-systeme.de

www.prohodka.su
+7 /495/ 648-52-04
mail@prohodka.su

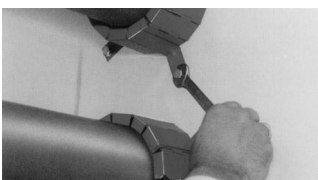
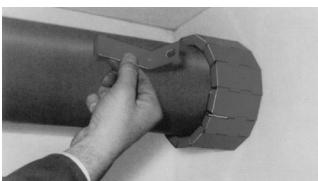
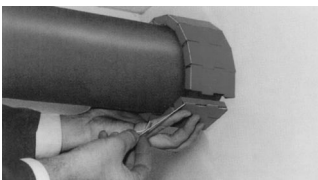
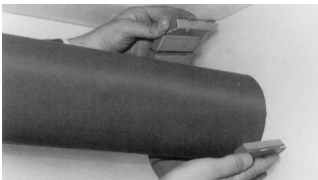
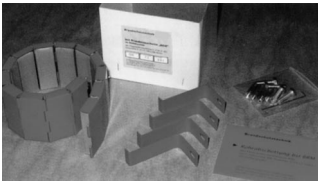
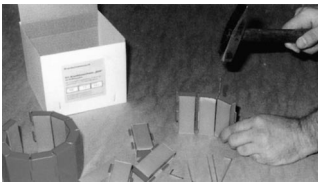




www.prohodka.su
 +7 /495/ 648-52-04
 mail@prohodka.su

BRM

Pipe Shield Fire Collar



For shielding plastic pipes of flammability class B1 (hardly inflammable) and B2 (normal flammability) against fire.
 Tested by TU-Braunschweig, WFRC Warrington and MA39-Wien.
 Approval by IfBt-Berlin (Z-19.17-1063) and VKF-Bern (Z 10234).
 Modular system. Lamella modules with a core of heat-swelling material are hinged together and laid around the pipe like a chain.